



PRODUCTS
CONTENT
产品总汇



乐清市吉祥连接器有限公司
YUEQING JIXIANG CONNECTOR CO., LTD.

世界品质 浙江制造
World-Class Quality Made in Zhejiang





吉祥连接器
JIXIANG CONNECTOR

BRIEF 企业简介

INTRODUCTION

乐清市吉祥连接器有限公司，获得国家高新技术企业，专业生产各种规格电缆接头与线配器材的制造厂家。

公司集科研、生产和销售为一体，主要产品有金属和尼龙电缆防水接头、防爆铠装电缆接头、快速电缆接头、防水盒等系列产品。

公司坚信市场是企业发展的关键，一直贯彻质量为中心的原则，目前已发展成为拥有7000平方米生产车间的企业。本公司产品认证有:CE、IP68、ROHS、EX、ATEX、TUV、CCC、ISO14001、ISO45001、ISO9001、IATF16949等认证。

产品广泛应用于电子、机械、仪表、化工、新能源汽车、船舶、充电桩、轨道交通、机器人、风力发电、电器成套等工业领域，防水接头。产品远销东南亚等发达国家与地区，因为其精湛的工艺和卓越的品质,已得到国内外广大客户的认可和好评。

吉祥连接器，以诚信为立业之本，以创新为发展之道，全面实施优质服务和品牌形象，我们坚信,吉祥,将以全新的形象矗立于企业之林。



Yueqing Jixiang Connector Co. , Ltd. , achieving title of the National High-tech Enterprises, is a manufacturer who specialized in the production of various of cable glands and wire fittings. Our company focuses on research, production and sales and our main products are metal and nylon waterproof cable connector, explosion-proof armored cable connector, fast cable connector, waterproof box and etc. The company firmly believes that the market is the key to enterprise development, taking a quantity-centered principle. At present, the company has developed into a 7000 square meters workshop. We have many certificates for products: CE, IP68, ROHS, EX, ATEX, TUV, CCC, ISO14001, ISO45001, ISO9001, IATF16949 certification. Products are widely used in electronics, machinery, instrumentation, chemical, new energy vehicles, ships, charging piles, rail transit, robotics, wind power, electrical equipment and other industrial fields. Waterproof glands has been exported to many developed countries and regions such as southeast Asia and Europe. Because of our superb technology and superior quality has been recognized and praised by domestic and foreign customers. Jixiang connector, taking "Honesty is the foundation of business" as our main principle, tries to expand a road of innovation. Besides, we will completely implement, this principle with high-quality service and brand image. We firmly believe that Jixiang will stand out among this industry.

部分资质及生产设备

Part of the Certifications and production equipment





高端塑料防水盒

High-end plastic waterproof boxes

Product description

产品概述

本公司专业生产高端塑料防水接线盒(防溅盒,密封盒,电气密封箱,防水监控电源箱,防水分线盒,防水端子盒等因地域不同,叫法不同,但功能一致为防水,防尘,防腐,绝缘,耐抗压)外型美观,防水等级IP-67(水下一米)防抗压等级IK-08并通过ROHS, PAHS, 以及多项外观设计专利。欢迎新老客户来电或实体店洽谈。

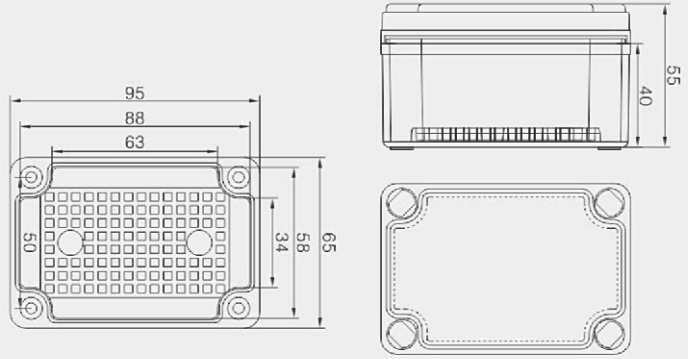
The company specializes in the production of high-end plastic waterproof junction boxes (splash boxes, sealed boxes, electrical sealed boxes, water room monitoring power boxes, waterproof junction boxes, waterproof terminal boxes, etc. due to different regions, different names, but the function is consistently waterproof anti-proof Dust, anti-corrosion, insulation, anti-pressure) Beautiful appearance, waterproof grade IP-67 (water one meter) anti-compression rating IK-08 and passed ROHS, PAHS, and a number of design patents. Welcome new and old customers to call or negotiate in the store

型号 Model	外形尺寸(mm) Dimensions(mm)	重量(只/KG) Weight (PCS/KG)	装箱数 PCS/CTN	纸箱尺寸(cm) Carton size(cm)	毛重(箱/KG) G.W(KG)	底板 M.P
JX-090605	95×65×55	0.12	160	41x34x45.5	18.44	内置
JX-110805	110×80×50	0.14	135	41x34x45.5	19.22	2
JX-110807	110×80×70	0.16	90	41x34x45.5	15.1	2
JX-110808	110×80×85	0.19	75	41x34x45.5	14.82	2
JX-130807	130×80×70	0.19	140	52x42x52	25.6	2.3
JX-130808	130×80×85	0.21	120	52x42x52	25.6	2.3
JX-101007	100×100×75	0.18	140	52x42x52	25.9	2.5
JX-101010	100×100×100	0.21	100	51.5x41x52.5	22.5	2.5
JX-180807	180×80×70	0.24	90	55x41.5x43.5	22	2.5
JX-250807	250×80×70	0.28	70	52x42x52	21	2.5
JX-250808	250×80×85	0.33	60	52x42x52	21	2.5
JX-121207	125×125×75	0.25	72	51x38.5x47.5	18.4	2.5
JX-121210	125×125×100	0.31	60	51x38.5x51.5	18.6	2.5
JX-171207	175×125×75	0.32	60	53.5x52.5x39.5	19.82	3
JX-171210	175×125×100	0.38	48	53.5x52.5x42	19.14	3
JX-171410	170×140×100	0.42	45	52x42x52.5	18.5	3
JX-171710	175×175×100	0.49	36	55x55x43	18.3	3
JX-201510	200×150×100	0.43	40	61x41x51.5	18.1	3
JX-201513	200×150×130	0.51	32	61x41x54	17.38	3
JX-202010	200×200×100	0.59	30	62x41x53	18	3
JX-202013	200×200×135	0.67	24	62x41x56	16.5	3
JX-251510	250×150×100	0.55	32	61x51x42.5	19.2	3
JX-251513	250×150×130	0.65	24	61x51x41.5	16.5	3
JX281913	280×190×180	0.94	16	57x39x55.5	16	5
JX-281918	280×190×130	1.3	12	57x39x55.5	16.5	5

订货号: JX-090605



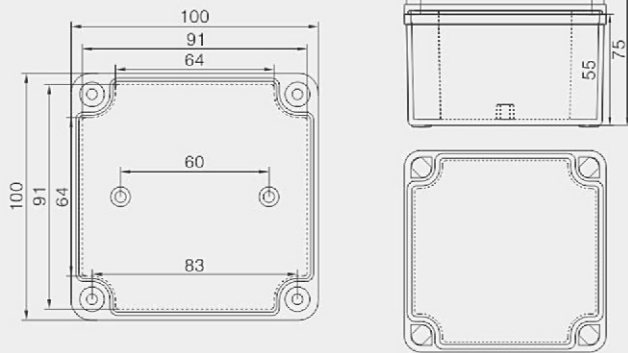
Outline dimension
 外形尺寸图



订货号: JX-101007



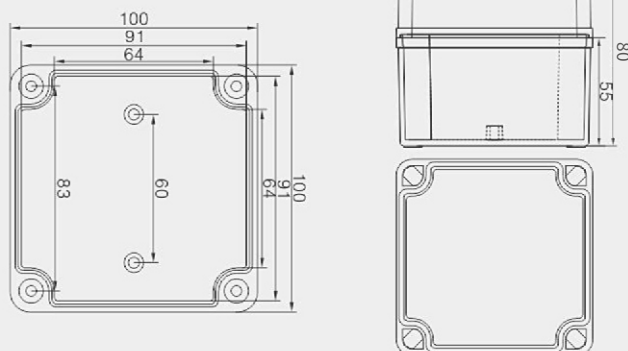
Outline dimension
 外形尺寸图



订货号: JX-101009



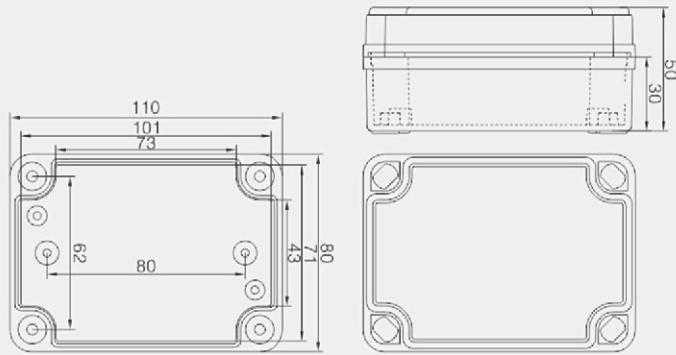
Outline dimension
 外形尺寸图



订货号: JX-110805



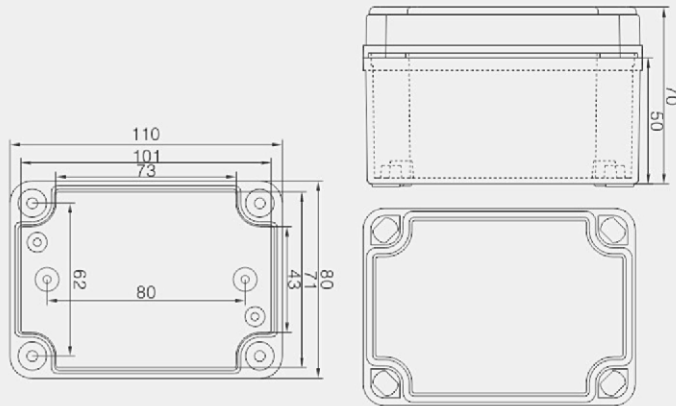
Outline dimension
外形尺寸图



订货号: JX-110807



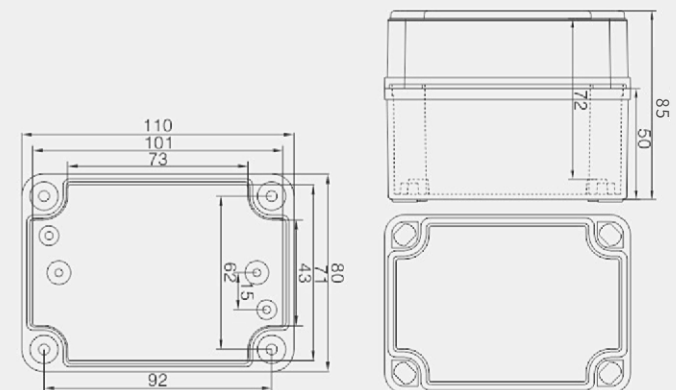
Outline dimension
外形尺寸图



订货号: JX-110808



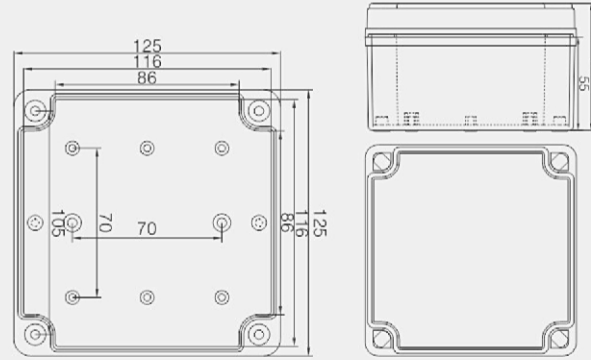
Outline dimension
外形尺寸图



订货号: JX-121207



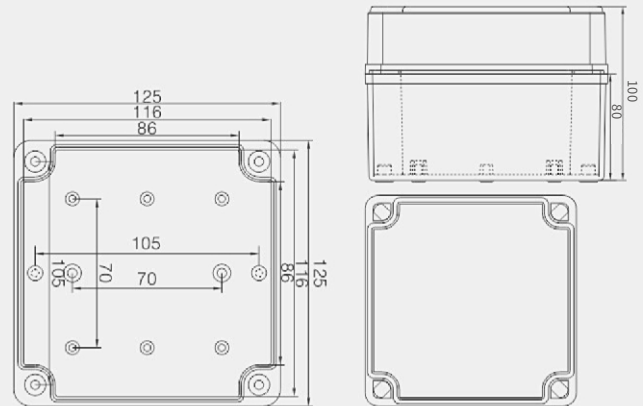
Outline dimension
 外形尺寸图



订货号: JX-121209



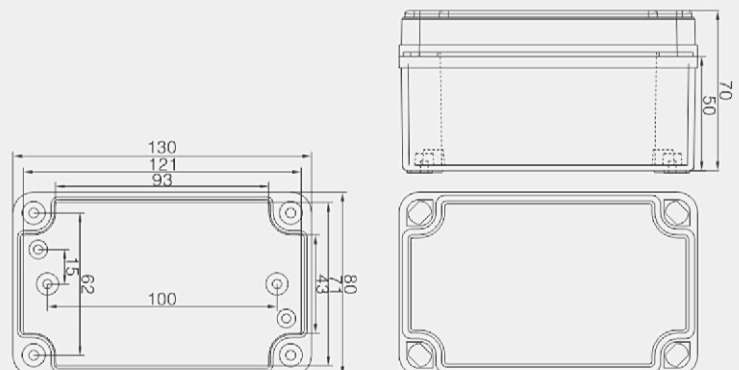
Outline dimension
 外形尺寸图



订货号: JX-130807



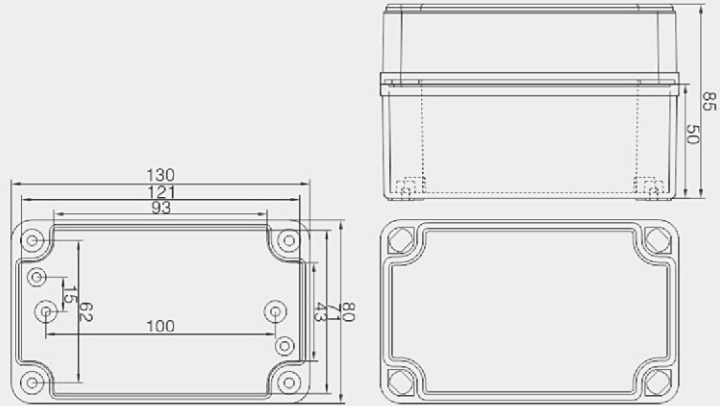
Outline dimension
 外形尺寸图



订货号: JX-130808



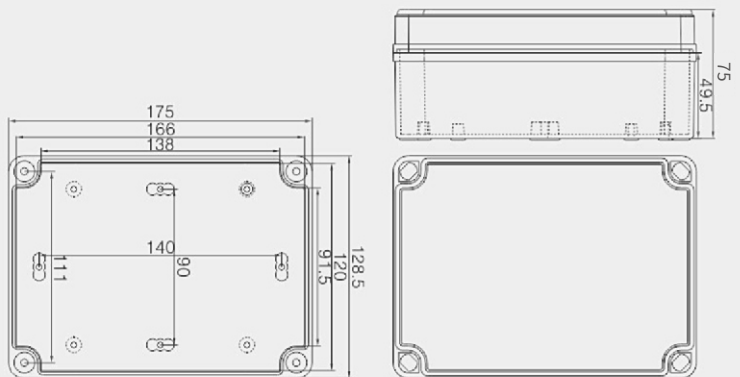
Outline dimension
外形尺寸图



订货号: JX-171207



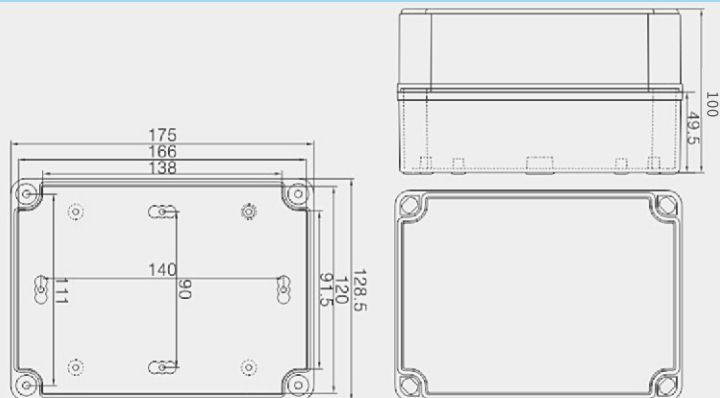
Outline dimension
外形尺寸图



订货号: JX-171210



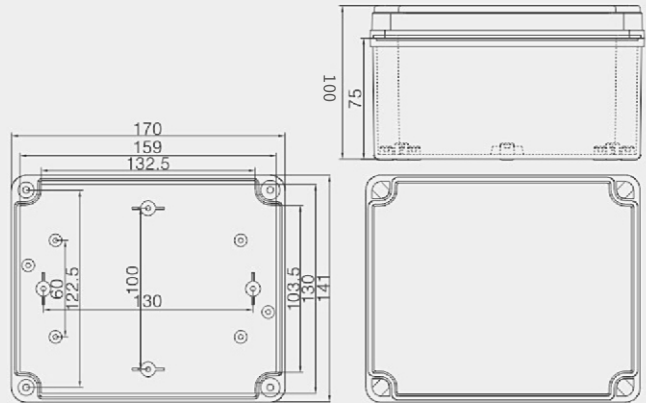
Outline dimension
外形尺寸图



订货号: JX-171409



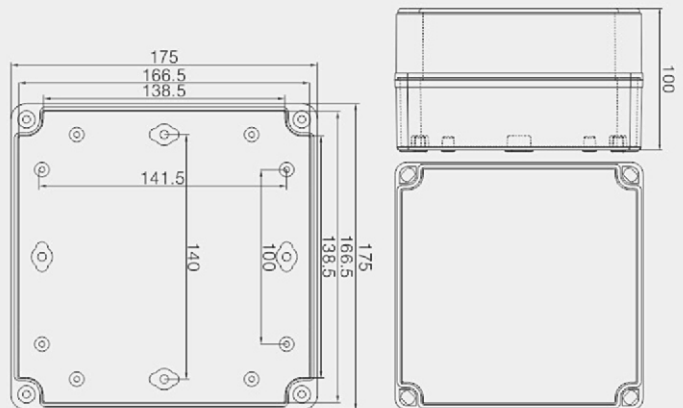
Outline dimension
 外形尺寸图



订货号: JX-171410



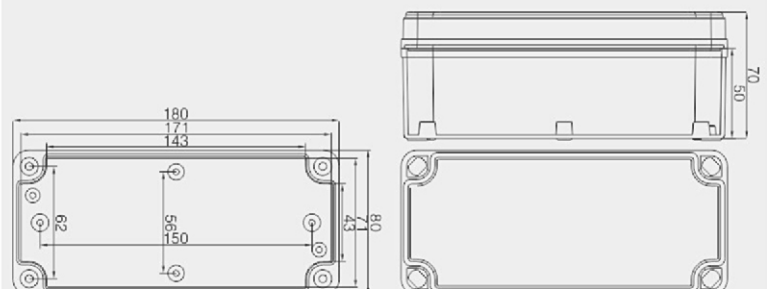
Outline dimension
 外形尺寸图



订货号: JX-180807



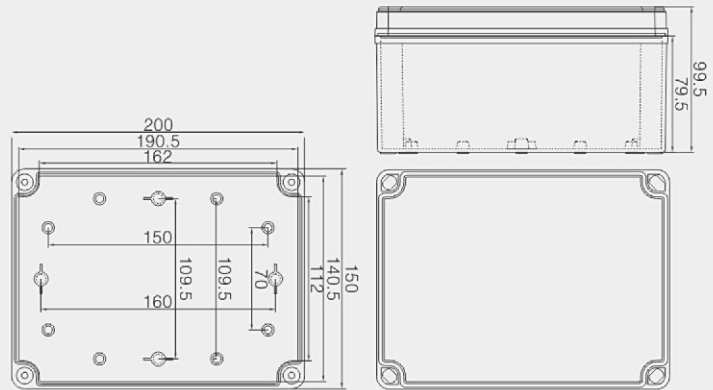
Outline dimension
 外形尺寸图



订货号: JX-201510



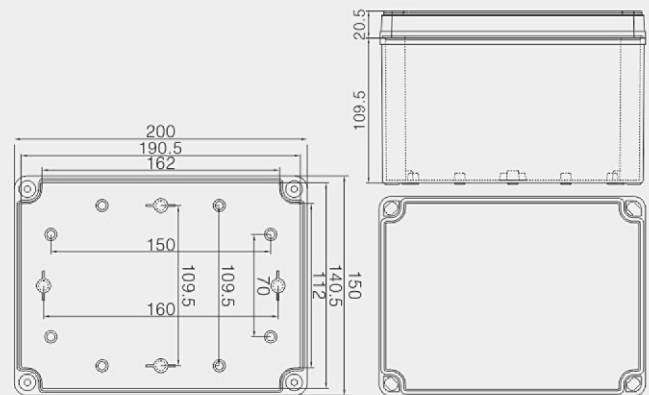
Outline dimension
外形尺寸图



订货号: JX-201513



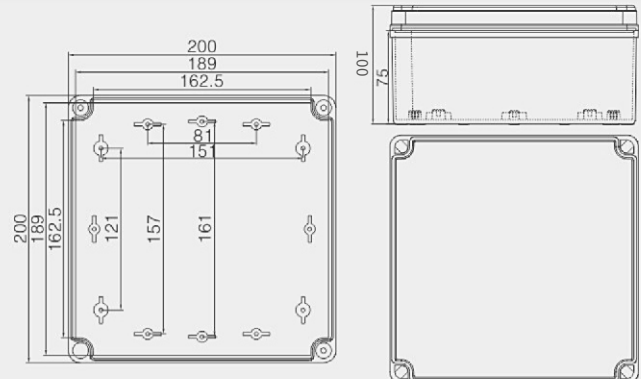
Outline dimension
外形尺寸图



订货号: JX-202010



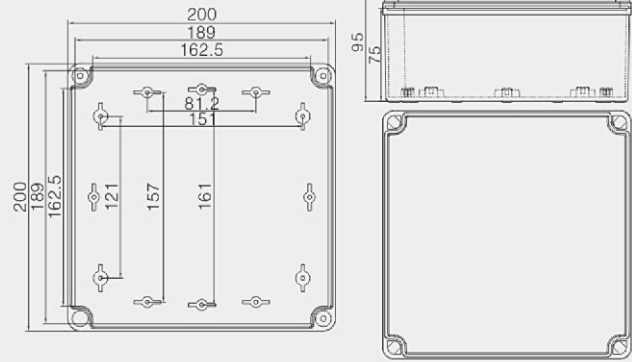
Outline dimension
外形尺寸图



订货号: JX-202013



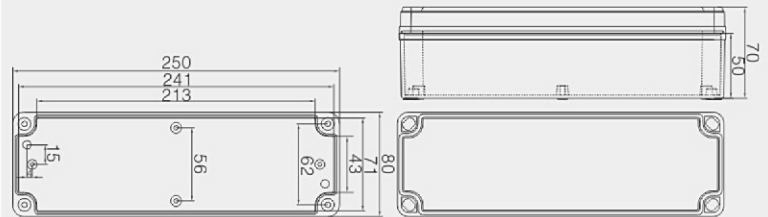
Outline dimension
 外形尺寸图



订货号: JX-250807



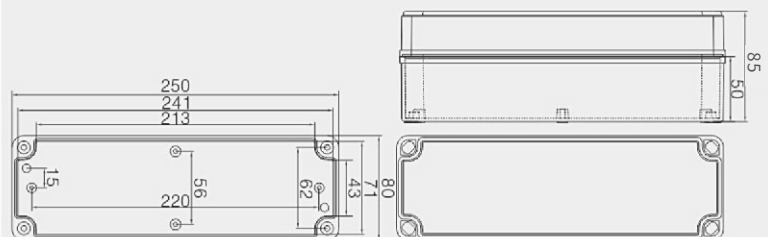
Outline dimension
 外形尺寸图



订货号: JX-250808



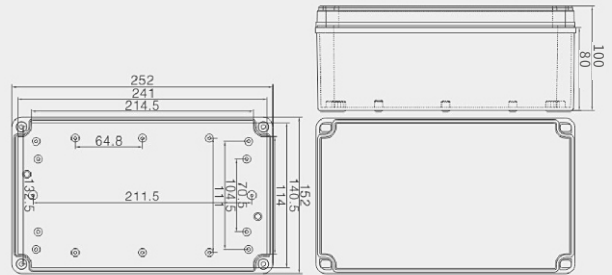
Outline dimension
 外形尺寸图



订货号: JX-251510



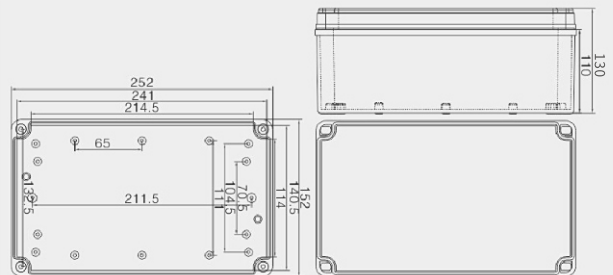
Outline dimension
外形尺寸图



订货号: JX-251513



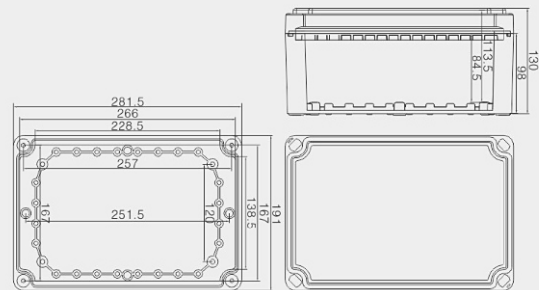
Outline dimension
外形尺寸图



订货号: JX-281913



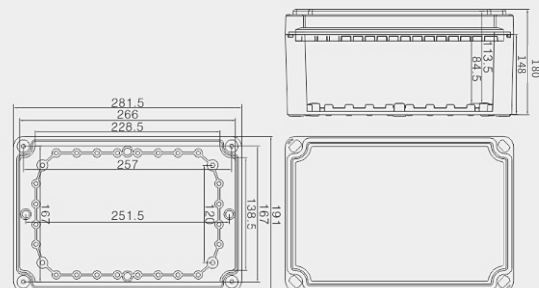
Outline dimension
外形尺寸图



订货号: JX-281918



Outline dimension
外形尺寸图



订货号: JX-130808二位按钮盒



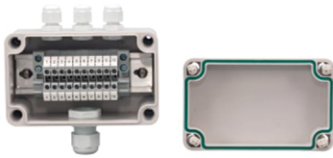
订货号: JX-201510按钮盒



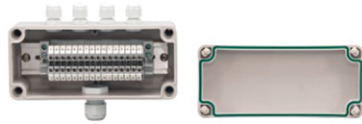
订货号: JX-250808五位指示灯



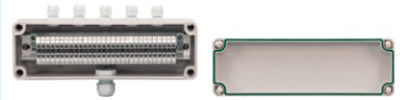
订货号: JX-接线端子盒



订货号: JX-接线端子盒



订货号: JX-250808端子盒



订货号: JX-110808一位工业插座盒



订货号: JX-180807二位工业插座盒



订货号: JX-250808四位工业插座盒



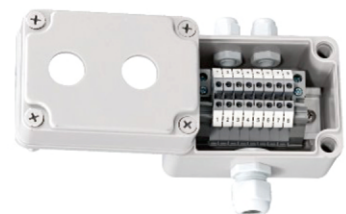
订货号: JX-251510六位工业插座盒



订货号: JX-不锈钢挂角及配件



订货号: JX-110808八位UK端子盒

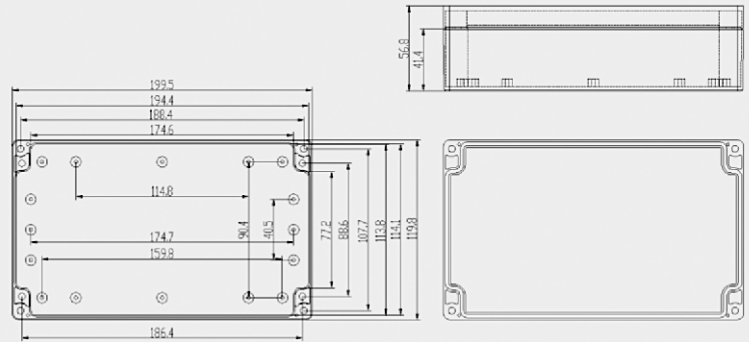


型号 Model	尺寸 Dimensions(mm)	外箱规格 Carton size(cm)	毛重KG/箱 G.W(KG)	装箱数	底板 M.P
JXF1-56	200*120*56	73*41*47	29.5	96	2.8
JXF1-75	200*120*75	73*41*47	22.8	72	
JXF1-75E	200*120*75E	61.5*47*49	23.9	64	
JXF1-113	200*120*113	73*41*47	19.4	48	
JXF1-65E	200*120*65E	69*46.5*49	28.1	80	
JXF1-113E	200*120*113E	69*46.5*49	23.4	48	
JXF2-75	158*90*75	64*37*54	23.4	112	2.5
JXF2-65E	158*90*65E	72.5*45*46	31.3	140	
JXF2-60	158*90*60	64*37*50	24.5	128	
JXF2-40E	158*90*40	64*37*50	30.7	192	
JXF3-55	115*90*55	55*47*45	29.4	192	2.5
JXF3-55E	115*90*55E	56.5*43*47	26.9	150	
JXF4-40E	100*68*40E	61*41.5*42.5	22.5	250	2
JXF4-50	100*68*50	61*41.5*42.5	31.3	288	
JXF4-50E	100*68*50E	61*41.5*42.5	29.6	240	
JXF5-90	160*160*90	65*49*46.5	24	60	3.5
JXF5-90E	160*160*90E	73.6*39.2*49.5	21.9	48	
JXF5-120	160*160*120	65*49*50	23.2	48	
JXF6-60	265*185*60	56*54*49.5	27.7	48	5.5
JXF6-80	265*185*80	56*54*49.5	23.4	36	
JXF6-95	265*185*95	56*54*49.5	20.6	30	
JXF6-130	265*185*130	56*53.5*53	20.3	24	
JXF6-150	265*185*150	56*54*61	22.2	24	
JXF6-95E	265*185*95E	59.5*59*56.5	26.2	36	
JXF7-45E	158*90*45E	56.5*43*47	28.1	180	2.5
JXF7-60E	158*90*60E	72.5*45*46	30.2	140	
JXF8-35E	115*85*35E	54*42.3*45	30	225	2.5
JXF8-55E	115*85*55E	56.5*43.44.5	24.9	150	
JXF10-110	320*240*110	65*57.3*50	21.1	20	9
JXF10-110E	320*240*110E	65*57.3*50	23.5	20	
JXF10-145	320*240*145	72.5*45*46	25.5	20	
JXF11-105	380*260*105	79.5*39*66	24	18	12
JXF14-90	120*120*90	61*49*46.5	28	100	3
JXF15-60	230*150*60	70*46*44	26.9	63	4.5
JXF15-85	230*150*85	70*46*44	22.1	45	
JXF15-85E	230*150*85E	60*53.5*47	22.8	42	
JXF19-33	83*58*33	54*34.3*37	26.7	360	1.5
JXF19-33E	83*58*33E	53*42*36.5	26.8	360	
JXF20-35	65*58*35	54*34.3*37	28.6	450	无
JXF20-35E	65*58*35E	56.2*37.36.5	29.1	420	
JXF21-90	240*160*90	65*49*47.5	21.9	40	5
JXF21-120	240*160*120	65*49*50.5	20.2	32	
JXF22-90	160*110*90	64.5*44.5*46.5	23.7	80	5
JXF22-90E	160*110*90E	64*39*56	23.4	70	
JXF24-100	192*188*100	76*39.5*51.5	20	30	5
JXF25-56	83*81*56	50.7*42*46	30.7	240	2
JXF36-60	290*210*60	64*59*44	29.9	42	6
JXF36-80	290*210*80	64*59*41.5	23.4	30	
JXF36-100	290*210*100	64*59*41.5	20.8	30	

型号: JXF1-56 200*120*56



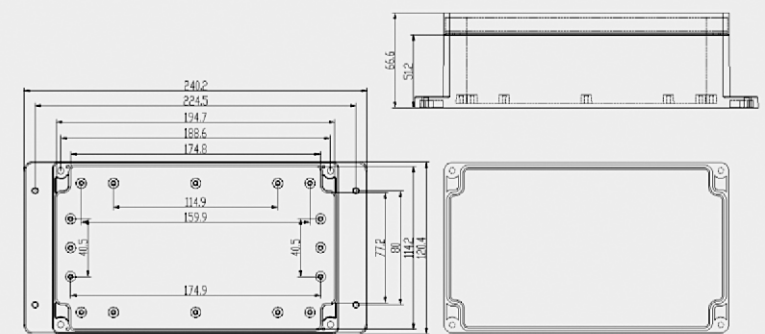
Outline dimension
外形尺寸图



型号: JXF1-56E 200*120*65E



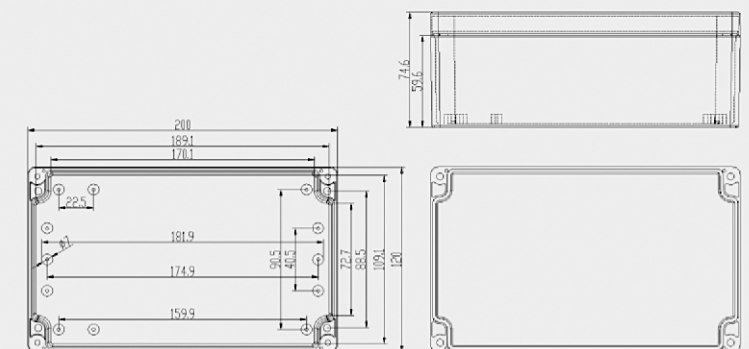
Outline dimension
外形尺寸图



型号: JXF1-56 200*120*75



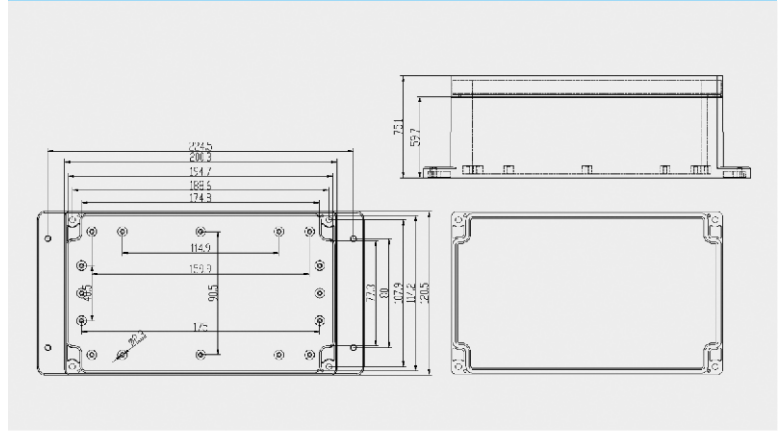
Outline dimension
外形尺寸图



型号: JXF1-56E 200*120*75E



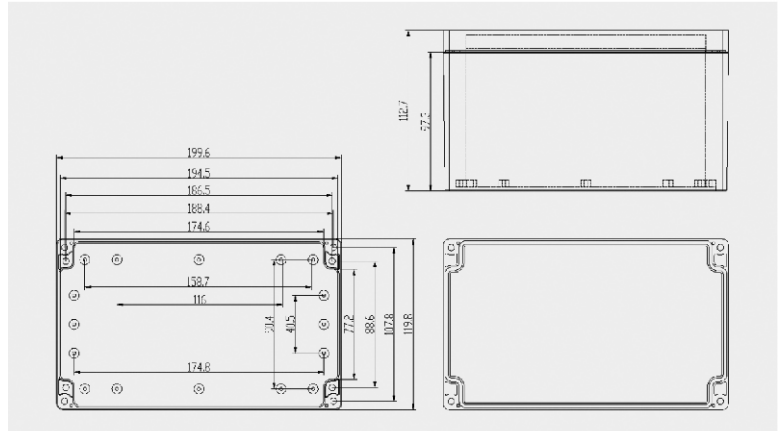
Outline dimension
外形尺寸图



型号: JXF1-56 200*120*113



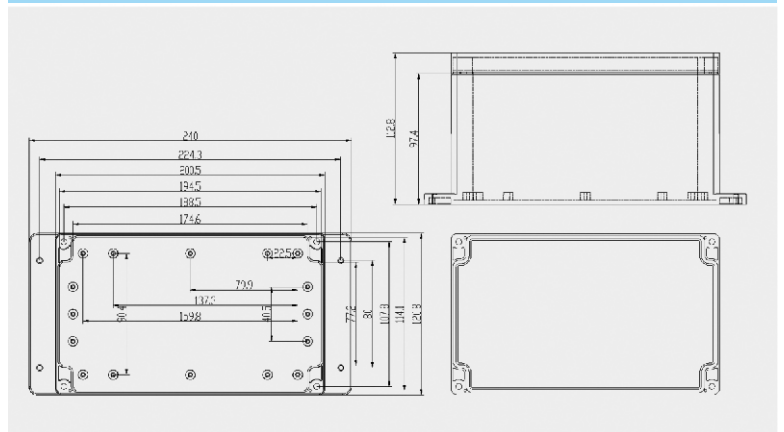
Outline dimension
外形尺寸图



型号: JXF1-56E 200*120*113E



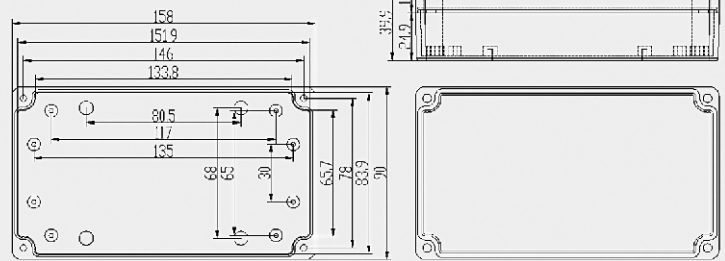
Outline dimension
外形尺寸图



型号: JXF2-40 158*90*40



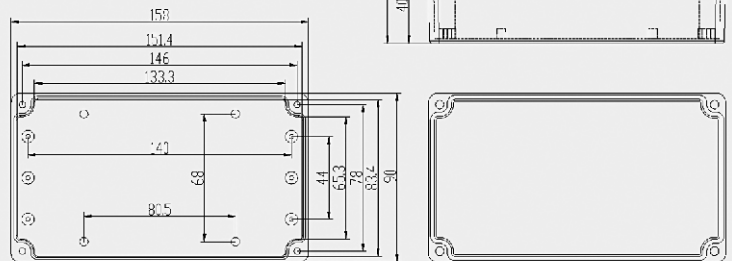
Outline dimension
外形尺寸图



型号: JXF2-60 158*90*60



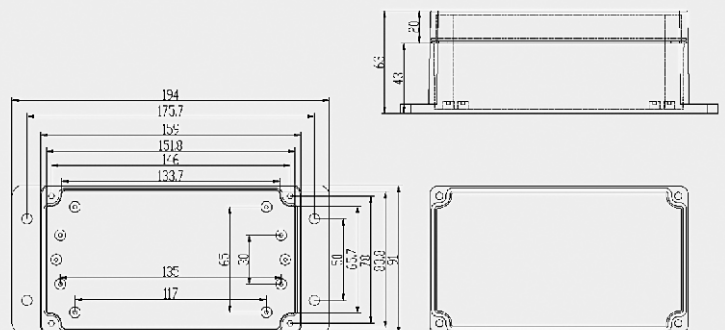
Outline dimension
外形尺寸图



型号: JXF2-65E 158*90*65E



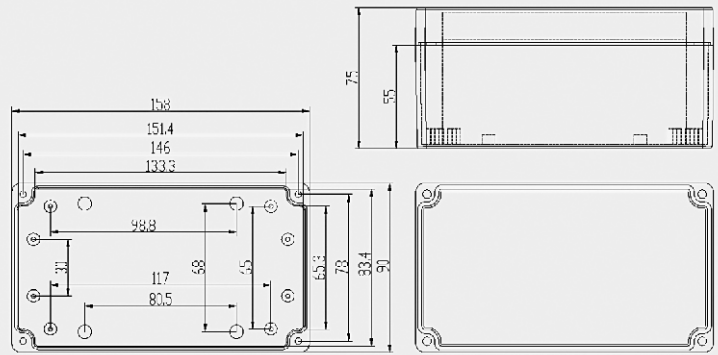
Outline dimension
外形尺寸图



型号: JXF2-75 158*90*75



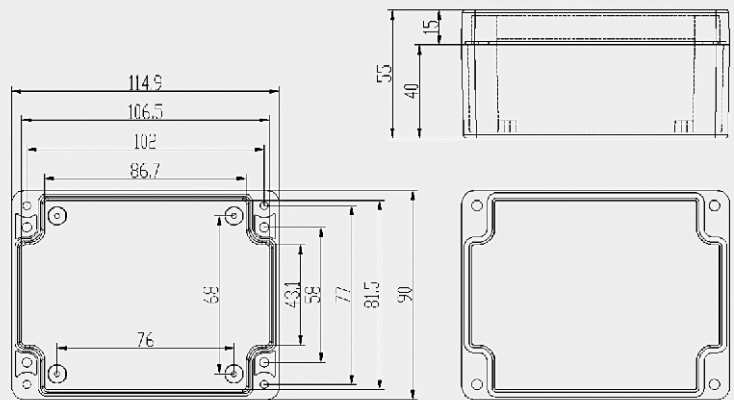
Outline dimension
外形尺寸图



型号: JXF3-55 115*90*55



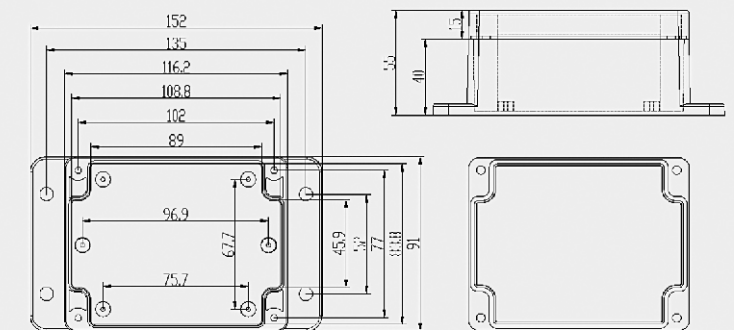
Outline dimension
外形尺寸图



型号: JXF3-55E 115*90*55E



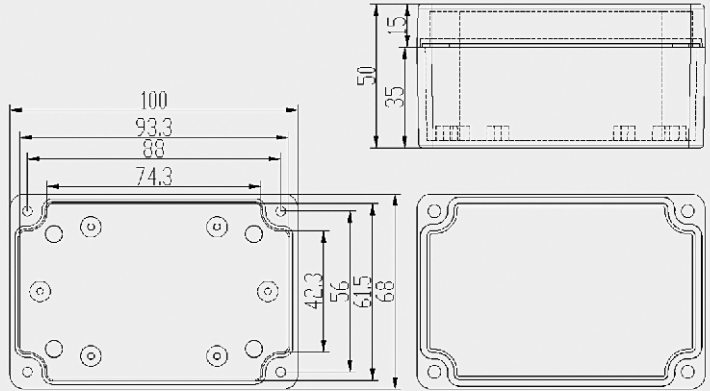
Outline dimension
外形尺寸图



型号: JXF4-50 100*68*50



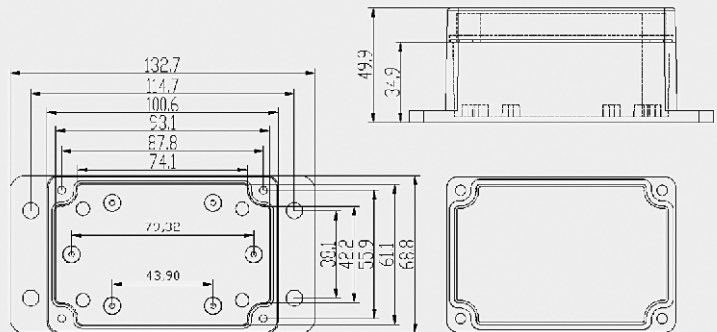
Outline dimension
外形尺寸图



型号: JXF4-50E 100*68*50E



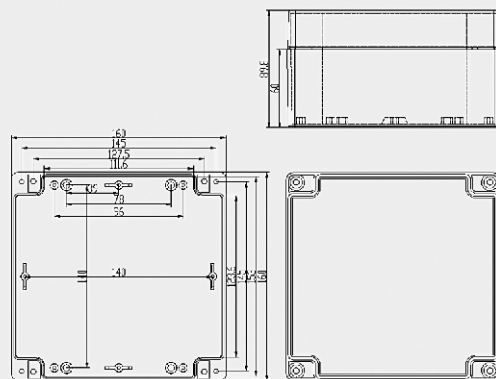
Outline dimension
外形尺寸图



型号: JXF5-90 160*160*90



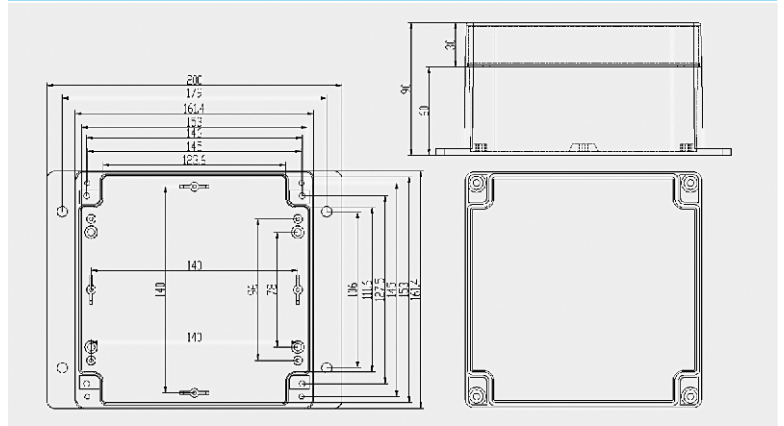
Outline dimension
外形尺寸图



型号: JXF5-90E 160*160*90 E



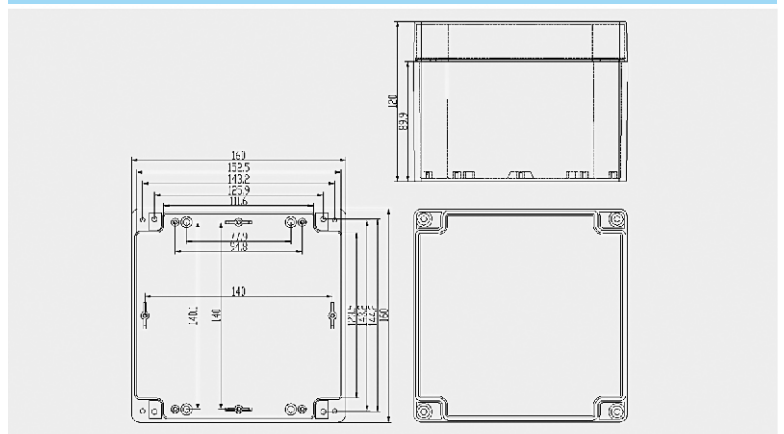
Outline dimension
外形尺寸图



型号: JXF5-120 160*160*120



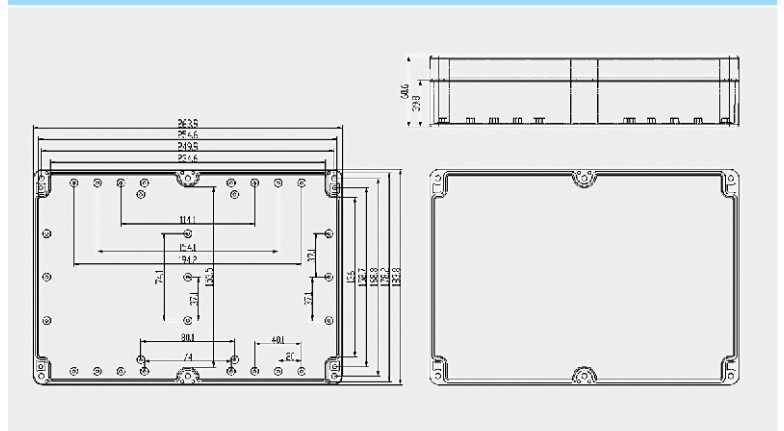
Outline dimension
外形尺寸图



型号: JXF6-60 265*185*60



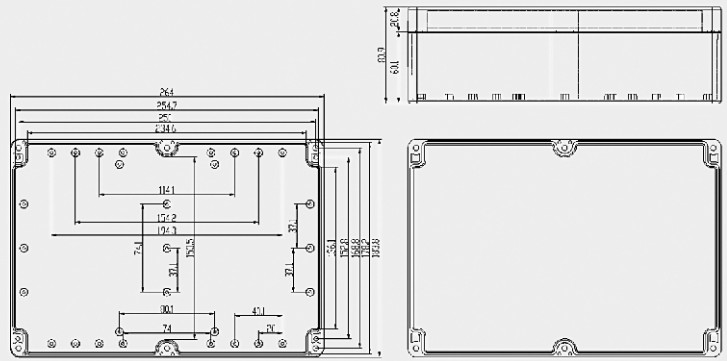
Outline dimension
外形尺寸图



型号: JXF6-80 265*185*80



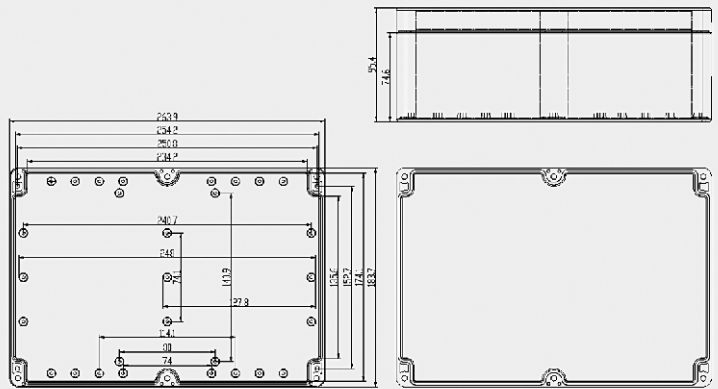
Outline dimension
外形尺寸图



型号: JXF6-98 265*185*95



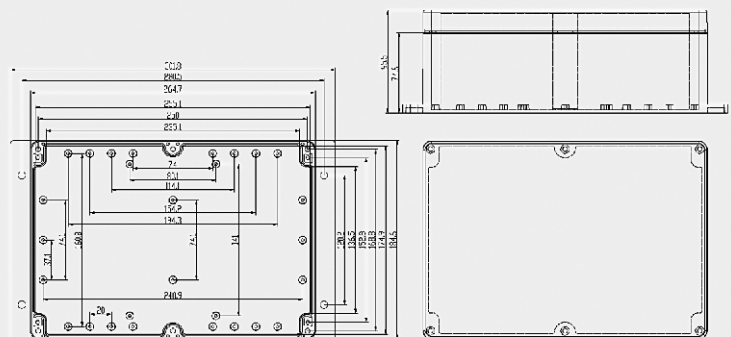
Outline dimension
外形尺寸图



型号: JXF6-90E 265*185*95E



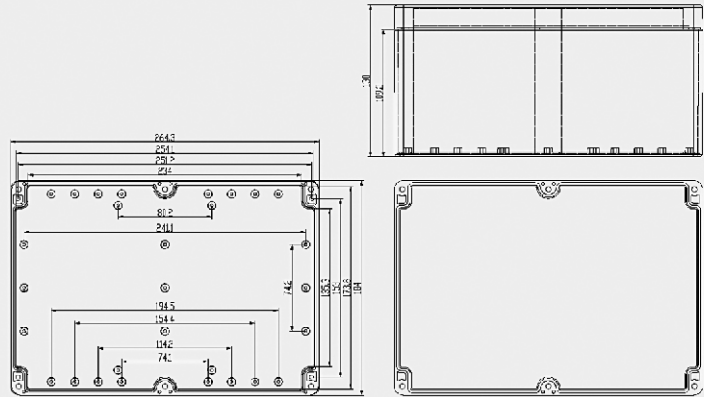
Outline dimension
外形尺寸图



型号: JXF6-130 265*185*130



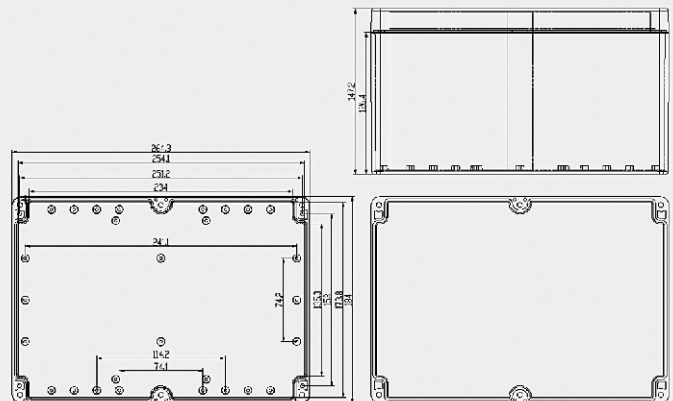
Outline dimension
外形尺寸图



型号: JXF6-150 265*185*150



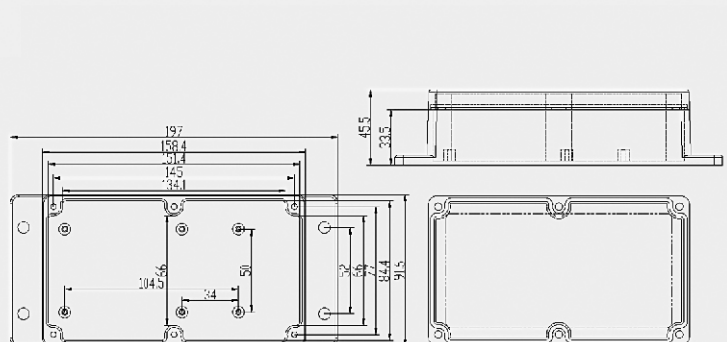
Outline dimension
外形尺寸图



型号: JXF7-45E 158*90*45E



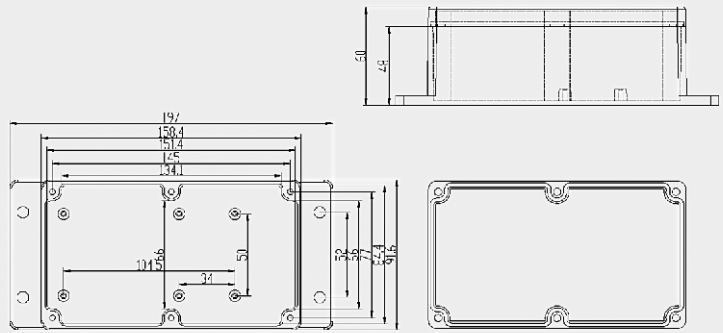
Outline dimension
外形尺寸图



型号: JXF7-60E 158*90*60E



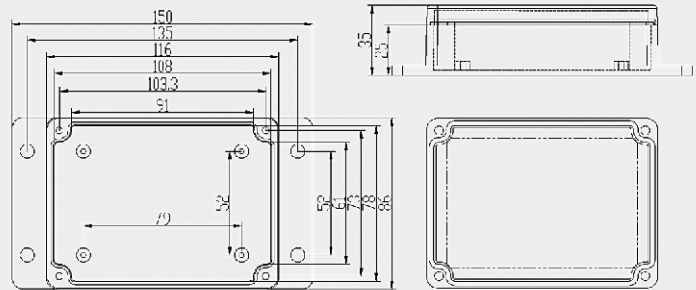
Outline dimension
外形尺寸图



型号: JXF8-35E 115*85*35E



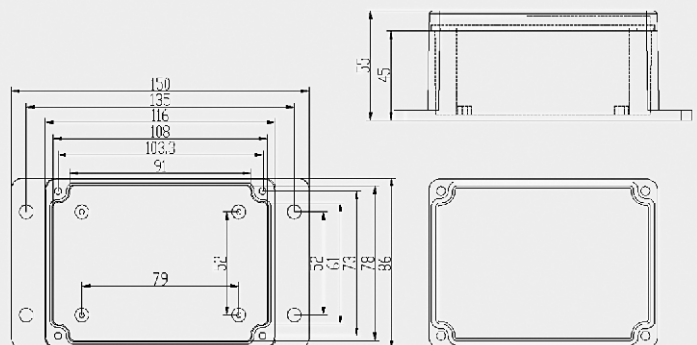
Outline dimension
外形尺寸图



型号: JXF8-55E 115*85*55E



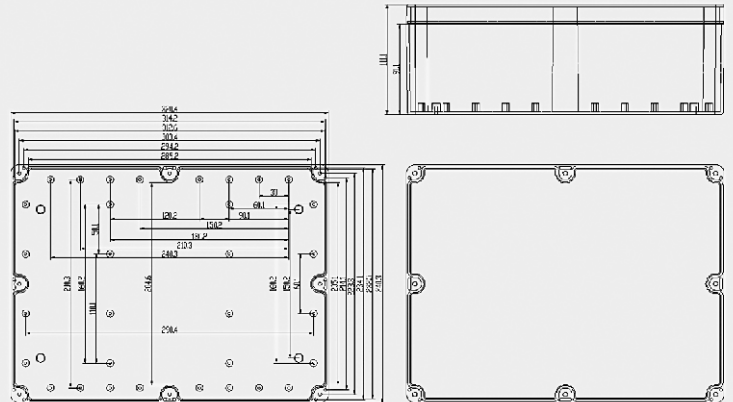
Outline dimension
外形尺寸图



型号: JXF10-110 320*240*110



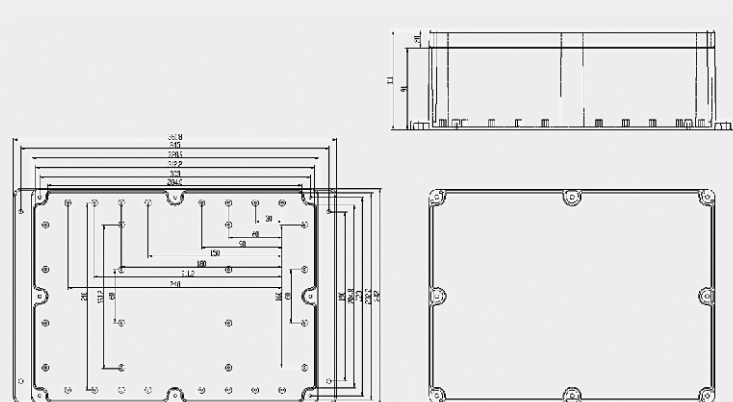
Outline dimension
外形尺寸图



型号: JXF10-110E 320*240*110E



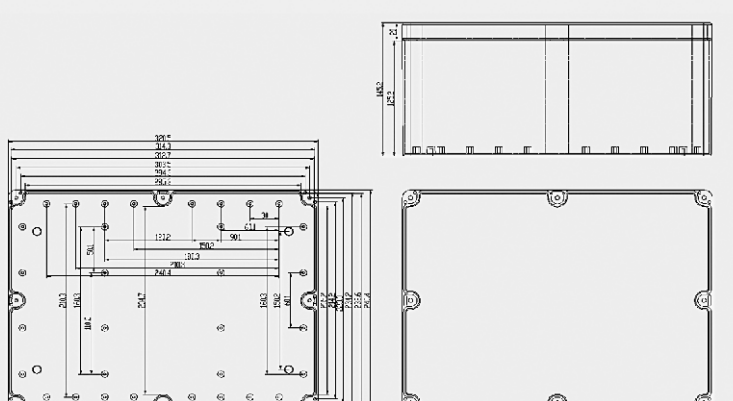
Outline dimension
外形尺寸图



型号: JXF10-145 320*240*145



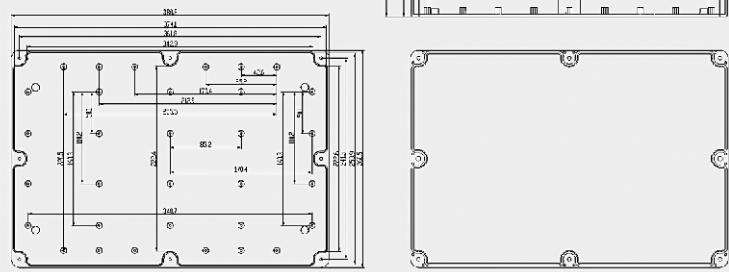
Outline dimension
外形尺寸图



型号: JXF11-105 380*260*105



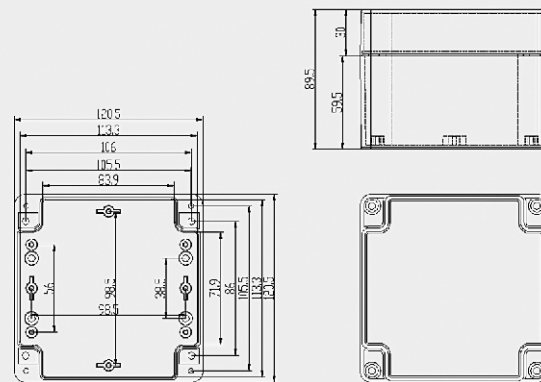
Outline dimension
外形尺寸图



型号: JXF14-90 120*120*90



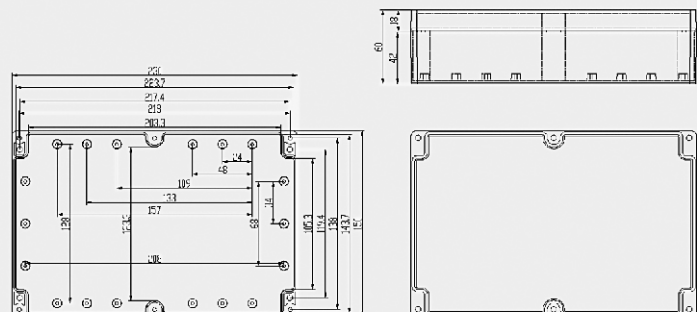
Outline dimension
外形尺寸图



型号: JXF15-60 230*150*60



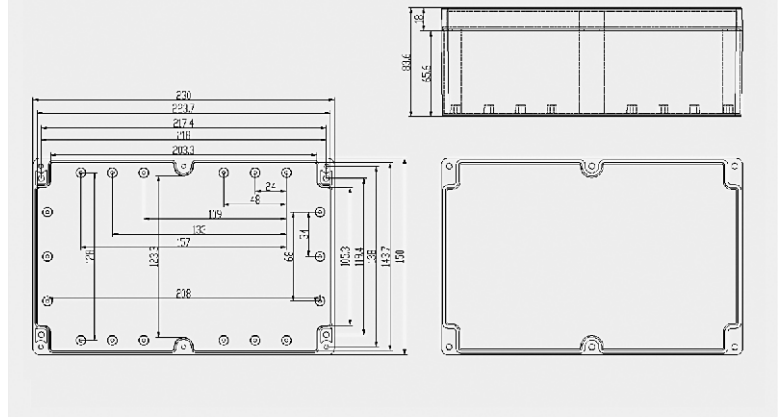
Outline dimension
外形尺寸图



型号: JXF15-85 230*150*85



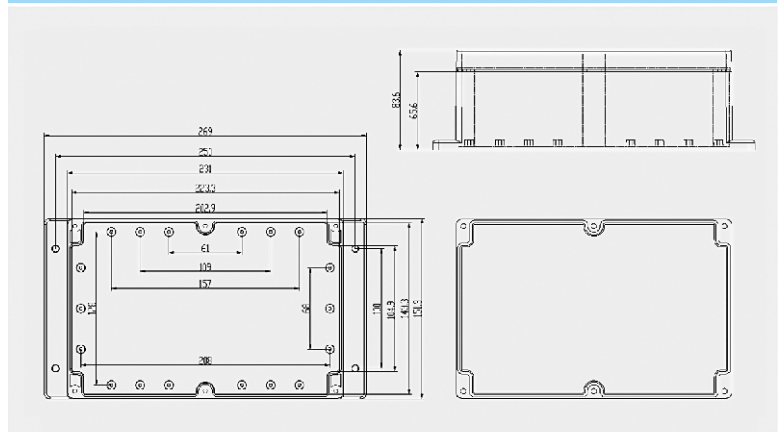
Outline dimension
外形尺寸图



型号: JXF15-85E 230*150*85E



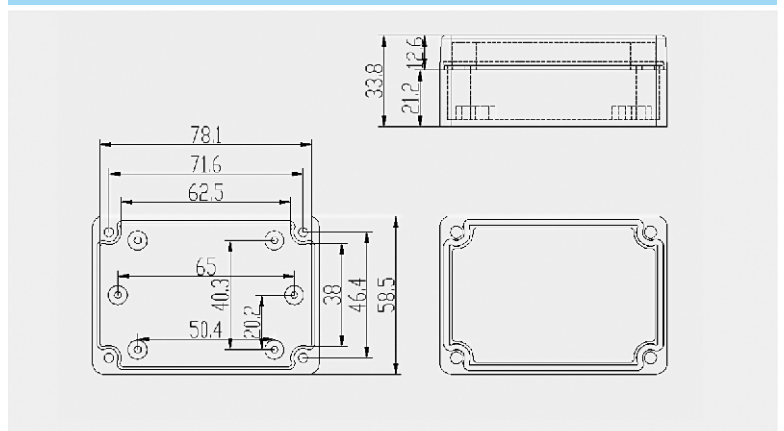
Outline dimension
外形尺寸图



型号: JXF19-33 83*58*33



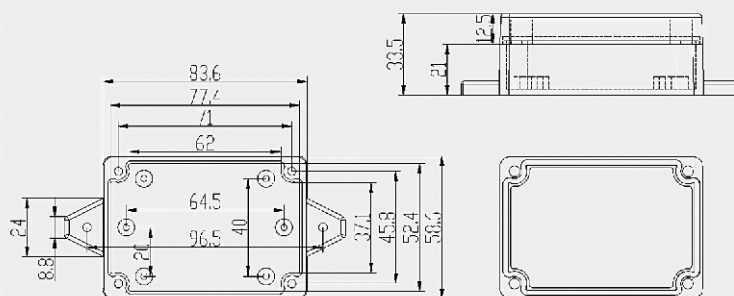
Outline dimension
外形尺寸图



型号: JXF19-33E 83*58*33E



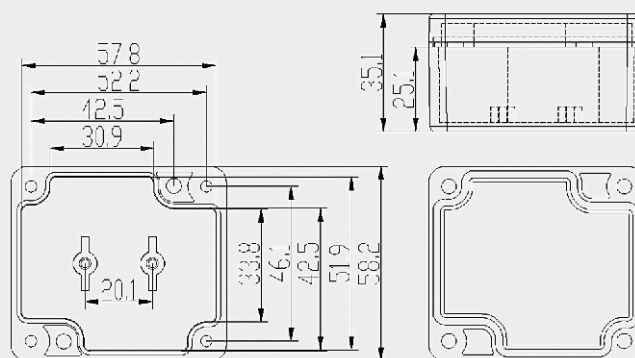
Outline dimension
外形尺寸图



型号: JXF20-35 65*58*35



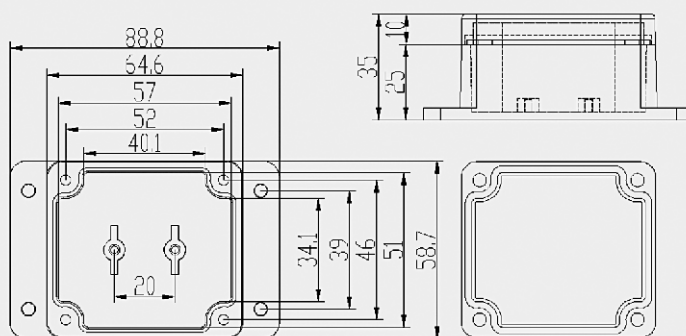
Outline dimension
外形尺寸图



型号: JXF20-35E 65*58*35E



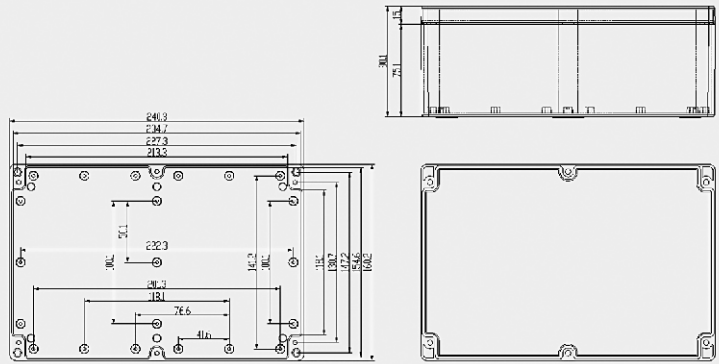
Outline dimension
外形尺寸图



型号: JXF21-90 240*160*90



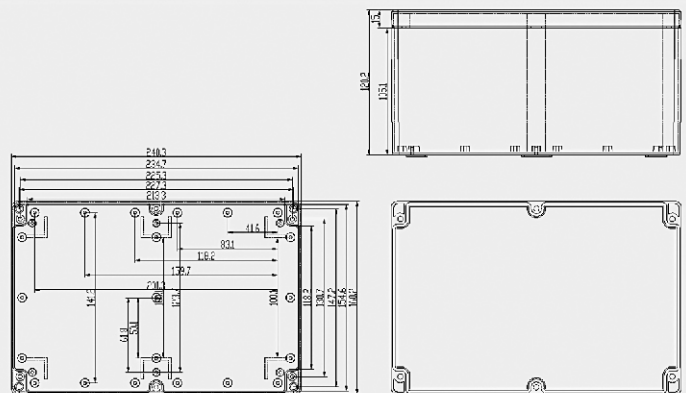
Outline dimension
外形尺寸图



型号: JXF21-120 240*160*120



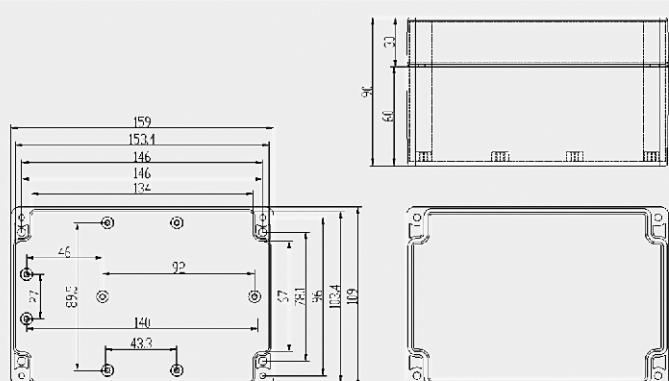
Outline dimension
外形尺寸图



型号: JXF22-90 160*110*90



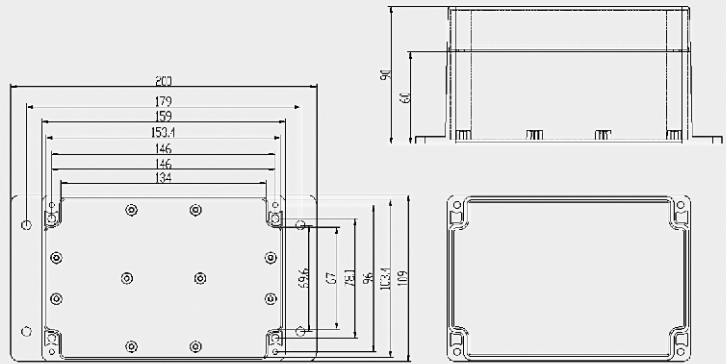
Outline dimension
外形尺寸图



型号: JXF22-90E 160*110*90E



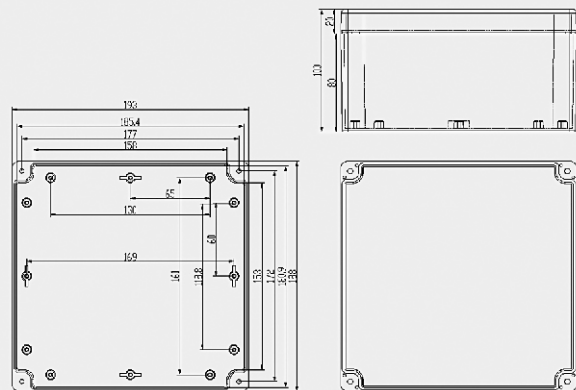
Outline dimension
外形尺寸图



型号: JXF24-100 192*188*100



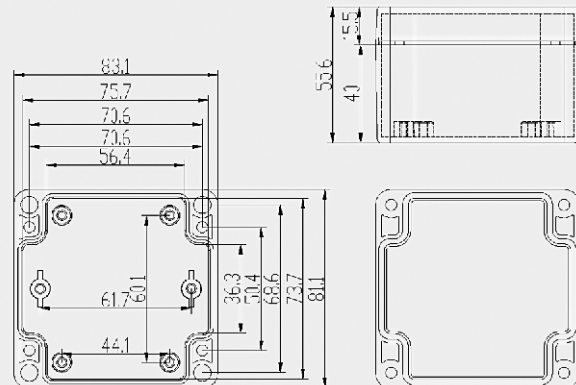
Outline dimension
外形尺寸图



型号: JXF25-56 83*81*56



Outline dimension
外形尺寸图



JX-RA塑料防水接线盒 JX-RA Plastic Waterproof Junction Box

壳体材料: ABS

孔塞材料: PVC

材料特性: 抗冲击性、耐热性、耐低温性、耐化学药品性及电气性能优良、
表面光泽性好等特点。

认 证: CE、ROHS

用 途: 适用于室内、室外电气、通信、消防设备、钢铁冶炼, 石油化工, 电子、
电力, 铁路, 建筑工地, 采矿场, 机场, 宾馆, 船舶、大型工厂、沿海工厂、
卸货码头设备、污废水处理设施、环境公害设施等。

安装方式: 1. 内部安装: 盒子内部有供线路板或DIN轨道元件安装的凸台;
2. 外部安装: 可通过盒体底部的安装孔直接固定于墙面(可通过
盒子的四个角, 直接用螺丝或钉子固定在墙上或板上。)

进出线孔: 防水盒可以根据电线大小在现有孔塞上选择使用, 或配套防水
夹紧接头, 达到防水最佳效果。



Body material: ABS

Stopper material: PVC

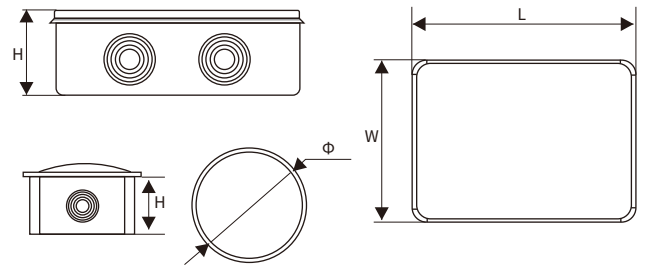
Material characteristics: Impact, heat, low temperature and chemical resistance,
excellent electrical performance and surface gloss, etc.

Certificates: CE, ROHS

Application: Suitable for indoor and outdoor electric, communication, fire
fighting apparatus, iron and steel smelting, petrochemical industry, electron, power
system, railway, building, mine, air and sea port, hotel, ship, works, waste water
treatment equipment, environmental equipment and so on.

Installation: 1, Inside: There are the installation holes in the base for circuit board or din rail.
2, Outside: The products can be directly fixed on the wall or other flatboards with screws
or nails via the screw holes in the base.

Outlet hole: Cutting a hole in the PVC stopper as related cable size or installing cable
gland to get better waterproof performance.



产品型号 Code	形尺寸 Outside Dimension (mm)			孔数 Hole Qty	孔径(mm) Hole Size	毛重(KG) G. Weight	净重(KG) N. Weight	装箱数(只) Qty/ Carton	外箱尺寸 (cm) Carton Dimension	IP
	L	W	H							
JX-RA50×50		50	50	4	25	14	12.9	12.9	45.5X38X51	55
JX-RA80×50		80	50	4	25	14.7	13.4	13.4	53X35X65	55
JX-RA85×85×50	85	85	50	7	25	18	16.6	16.6	52X41X52.5	55
JX-RA100×100×70	100	100	70	7	25	16.3	14.7	14.7	61X49X34.5	65
JX-RA150×110×70	150	110	70	10	25	15.7	14.2	14.2	66.5X34.5X46	65
JX-RA150×150×70	150	150	70	8	25	16.1	14.3	14.3	84.5X34X45	65
JX-RA200×100×70	200	100	70	8	25	16.6	15.3	15.3	61X46X42	65
JX-RA200×155×80	200	155	80	10	36	15.5	13.9	13.9	69.5X43.5X41	65
JX-RA200×200×80	200	200	80	12	36	19.9	17.9	17.9	45.5X45.5X79	65
JX-RA255×200×80	255	200	80	12	36	22.8	21	21	55X44X79.2	65
JX-RA255×200×120	255	200	120	12	36	21.9	20.1	20.1	64X55X62	65
JX-RA300×250×120	300	250	120	12	36	22.4	19.9	19.9	64X55X61.5	65
JX-RA400×350×120	400	250	120	16	36	14.8	13.3	13.3	74.5X42.5X61.5	65

JX-RT 塑料防水接线盒 JX-RT Plastic Waterproof Junction Box

壳体材料:ABS

材料特性:抗冲击性、耐热性、耐低温性、耐化学药品性及电气性能优良、表面光泽性好等特点。

认 证:CE、ROHS

用 途:适用于室内、室外电气、通信、消防设备、钢铁冶炼、石油化工, 电子、电力, 铁路, 建筑工地, 采矿场, 机场, 宾馆, 船舶、大型工厂、沿海工厂、卸货码头设备、污水处理设施、环境公害设施等。

安装方式:1. 内部安装:盒子内部有供线路板或DIN轨道元件安装的凸台;
2. 外部安装:可通过盒体底部的安装孔直接固定于墙面(可通过盒子的四个角,直接用螺丝或钉子固定在墙上或板子上。)

进出线孔:防水盒上已经有孔印,客户可以按自己要求敲落随意一个孔及全部,配套防水夹紧接头,达到防水最佳效果。



Body material: ABS

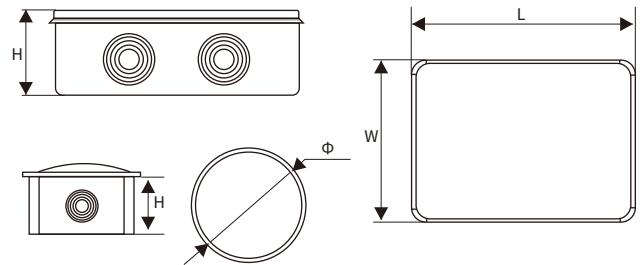
Material characteristics: Impact, heat, low temperature and chemical resistance, excellent electrical performance and surface gloss, etc.

Certificates: CE, ROHS

Application: Suitable for indoor and outdoor electric, communication, fire fighting apparatus, iron and steel smelting, petrochemical industry, electron, power system, railway, building, mine, air and sea port, hotel, ship, works, waste water treatment equipment, environmental equipment and so on. Installation: 1, Inside: There are the installation holes in the base for circuit board or din rail.

2, Outside: The products can be directly fixed on the wall or other flat boards with screws or nails via the screw holes in the base.

Outlet hole: The plastic plate in the hole can be knocked off and installing cable gland to get better waterproof performance.



产品型号 Code	形尺寸 Outside Dimension (mm)			孔数 Hole Qty	孔径(mm) Hole Size	毛重(KG) G. Weight	净重(KG) N. Weight	装箱数(只) Qty/Carton	外箱尺寸 (cm) Carton Dimension	IP
	L	W	H							
JX-RT 50×50		50	50	4	25	12.9	11.7	300	45.5×37.5×51	55
JX-RT 80×50		80	50	4	25	13.1	11.8	240	53×35×62	55
JX-RT 85×85×50	85	85	50	7	25	15.6	14.4	200	45×37×53	55
JX-RT 100×100×70	100	100	70	7	25	14	12.5	100	57×46×35	65
JX-RT 150×110×70	150	110	70	10	25	13.6	12.3	60	62×31.5×46.5	65
JX-RT 150×150×70	150	150	70	8	25	14.4	12.9	60	79.5×31.5×46	65
JX-RT 200×100×70	200	100	70	8	25	15.4	13.8	60	57×43×42	65
JX-RT 200×155×80	200	155	80	10	36	13.6	11.9	40	64.5×40.5×41	65
JX-RT 200×200×80	200	200	80	12	36	16	14.4	40	85×43×40.5	65
JX-RT 255×200×80	255	200	80	12	36	20	18	40	51.8×41.2×79.2	65
JX-RT 255×200×120	255	200	120	12	36	19.8	18	30	62×53×62	65
JX-RT 300×250×120	300	250	120	12	36	19.7	17.8	20	61×52×61.5	65
JX-RT 400×350×120	400	350	120	16	36	14.8	13.1	10	72×41×61.5	65

JX-KG塑料扣防水接线盒 JX-KG Plastic Waterproof Junction Box

壳体材料:ABS或PC

材料特性:抗冲击性、耐热性、耐低温性、耐化学药品性及电气性能优良、表面光泽性好等特点

认证:CE、ROHS

防护等级:IP65

用途:适用于室内、室外电气、通信、消防设备、钢铁冶炼,石油化工,电子、电力,铁路,建筑工地,采矿场,机场,宾馆,船舶、大型工厂、沿海工厂、卸货码头设备、污水处理设施、环境公害设施等。

安装方式:1. 内部安装:盒子内部有供线路板或DIN轨道元件安装的凸台,及自带的铜接线螺母(每只防水盒内部都配有最少二个以上的很常规的M4的铜螺母)

2. 外部安装:可通过盒体底部的安装孔直接固定于墙面(可通过盒子的四个角,直接用螺丝或钉子固定在墙上或板子上。)

进出线孔:防水盒可以随意根据客户的使用要求在上面开孔,(开孔位置及开孔大小都可以按照客户指定要求加工。)开孔后可以装有配套的防水夹紧接头,达到防水最佳效果。



Body material: ABS or PC

Material characteristics: Impact, heat, low temperature and chemical resistance, excellent electrical performance and surface gloss, etc.

Certificates: CE, ROHS

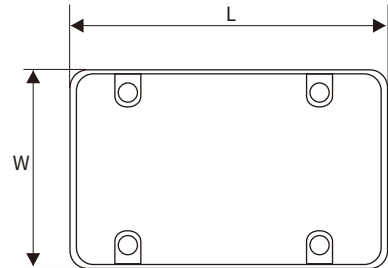
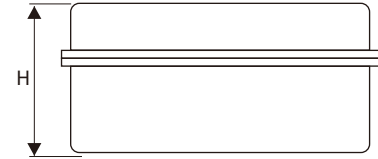
Protection grade: Ip65

Application: Suitable for indoor and outdoor electric, communication, fire fighting apparatus, iron and steel smelting, petrochemical industry, electron, power system, railway, building, mine, air and sea port, hotel, ship, works, waste water treatment equipment, environmental equipment and so on.

Installation: 1, Inside: There are the installation holes in the base for circuit board or din rail (More than 2 pcs of M4 brass nuts have been in each box).

2, Outside: The products can be directly fixed on the wall or other flat boards with screws or nails via the screw holes in the base.

Outlet hole: Holes can be opened on the box as customers' requirements, and installing cable gland can bring with better waterproof performance.



型号 Model Code	外形尺寸 Outside Dimension (mm)			毛重(KG) G. Weight	净重(KG) N. Weight	装箱数(只) Qty/Carton	外箱尺寸(cm) Carton Dimension
	L	W	H				
JX-KG 150×100×70	150	100	70	12.1	11.1	60	61.5×33.5×37
JX-KG 150×150×90	150	150	90	9.3	8.3	30	46.5×33×47.5
JX-KG 200×100×70	200	100	70	12.8	11.8	50	55×41×38
JX-KG 220×170×110	220	170	110	16.8	15.8	30	58.5×46×58
JX-KG 290×190×140	290	190	140	16.5	15.5	20	59.5×43.5×73
JX-KG 330×330×130	330	330	130	15.5	14	10	67.5×35.5×68.5
JX-KG 390×290×160	390	290	160	9.7	8.7	6	62×41×51.5

JX-KG塑料扣防水接线盒 JX-KG Plastic Waterproof Junction Box

壳体材料:ABS或PC

材料特性:抗冲击性、耐热性、耐低温性、耐化学药品性及电气性能优良、表面光泽性好等特点

认 证:CE、ROHS

防护等级:IP65

用 途:适用于室内、室外电气、通信、消防设备、钢铁冶炼,石油化工,电子、电力,铁路,建筑工地,采矿场,机场,宾馆,船舶、大型工厂、沿海工厂、卸货码头设备、污水处理设施、环境公害设施等。

安装方式:1. 内部安装:盒子内部有供线路板或DIN轨道元件安装的凸台,及自带的铜接线螺母(每只防水盒内部都配有最少二个以上的很常规的M4的铜螺母)

2. 外部安装:可通过盒体底部的安装孔直接固定于墙面(可通过盒子的四个角,直接用螺丝或钉子固定在墙上或板子上。)

进出线孔:防水盒可以随意跟据客户的使用要求在上面开孔,(开孔位置及开孔大小都可以按照客户指定要求加工。)开孔后可以装有配套的防水夹紧接头,达到防水最佳效果。



Body material: ABS or PC

Material characteristics: Impact, heat, low temperature and chemical resistance, excellent electrical performance and surface gloss, etc.

Certificates: CE, ROHS

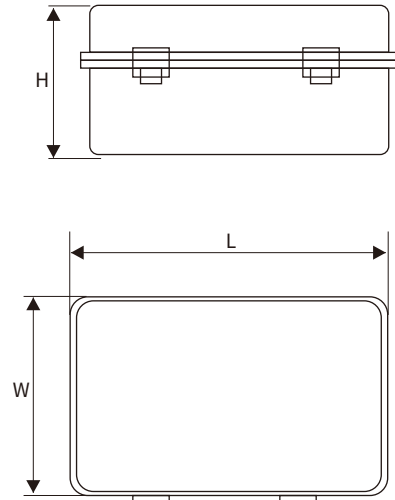
Protection grade: Ip65

Application: Suitable for indoor and outdoor electric, communication, fire fighting apparatus, iron and steel smelting, petrochemical industry, electron, power system, railway, building, mine, air and sea port, hotel, ship, works, waste water treatment equipment, environmental equipment and so on.

Installation: 1, Inside: There are the installation holes in the base for circuit board or din rail (More than 2 pcs of M4 brass nuts have been in each box).

2, Outside: The products can be directly fixed on the wall or other flat boards with screws or nails via the screw holes in the base.

Outlet hole: Holes can be opened on the box as customers' requirements, and installing cable gland can bring with better waterproof performance.



型号 Model Code	外形尺寸 Outside Dimension (mm)			毛重(KG) G. Weight	净重(KG) N. Weight	装箱数(只) Qty/Carton	外箱尺寸(cm) Carton Dimension
	L	W	H				
JX-MG 300×200×160	300	200	160	12.9	11.4	8	61.5×46.5×34
JX-MG 300×200×180	300	200	180	13.4	11.9	8	61.5×46.5×38.5
JX-MG 300×300×180	300	300	180	13.8	12.3	6	61.5×34×56.5
JX-MG 400×300×180	400	300	180	17.0	15.5	6	66×41×56.5
JX-MG 500×400×200	500	400	200	13.5	12.0	3	51×44×63
JX-MG 600×400×220	600	400	220	17.5	16.0	3	61.5×42.5×68.5

JX-BG不锈钢扣防水接线盒 JX-BG Stainless Steel Buckle Waterproof Junction Box

壳体材料:ABS或PC

材料特性:抗冲击性、耐热性、耐低温性、耐化学药品性及电气性能优良、表面光泽性好等特点

认 证:CE、ROHS

防护等级:IP65

用 途:适用于室内、室外电气、通信、消防设备、钢铁冶炼,石油化工,电子、电力,铁路,建筑工地,采矿场,机场,宾馆,船舶、大型工厂、沿海工厂、卸货码头设备、污废水处理设施、环境公害设施等。

安装方式:1. 内部安装:盒子内部有供线路板或DIN轨道元件安装的凸台,及自带的铜接线螺母(每只防水盒内部都配有最少二个以上的很常规的M4的铜螺母)

2. 外部安装:可通过盒体底部的安装孔直接固定于墙面(可通过盒子的四个角,直接用螺丝或钉子固定在墙上或板子上。)

进出线孔:防水盒可以随意跟据客户的使用要求在上面开孔,(开孔位置及开孔大小都可以按照客户指定要求加工。)开孔后可以装有配套的防水夹紧接头,达到防水最佳效果。



Body material: ABS or PC

Material characteristics: Impact, heat, low temperature and chemical resistance, excellent electrical performance and surface gloss, etc.

Certificates: CE, ROHS

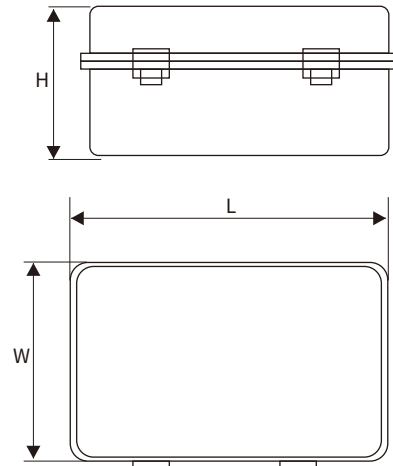
Protection grade: Ip65

Application: Suitable for indoor and outdoor electric, communication, fire fighting apparatus, iron and steel smelting, petrochemical industry, electron, power system, railway, building, mine, air and sea port, hotel, ship, works, waste water treatment equipment, environmental equipment and so on.

Installation: 1, Inside: There are the installation holes in the base for circuit board or din rail (More than 2 pcs of M4 brass nuts have been in each box).

2, Outside: The products can be directly fixed on the wall or other flat boards with screws or nails via the screw holes in the base.

Outlet hole: Holes can be opened on the box as customers' requirements, and installing cable gland can bring with better waterproof performance.



型号 Model Code	外形尺寸 Outside Dimension (mm)			毛重(KG) G. Weight	净重(KG) N. Weight	装箱数(只) Qty/Carton	外箱尺寸(cm) Carton Dimension
	L	W	H				
JX-BG 120×90×70	120	90	70	18.4	16.9	100	54×53×37.5
JX-BG 150×100×70	150	100	70	22	20.5	90	59×49×45
JX-BG 150×150×90	150	150	90	22	20.5	60	67.5×48.5×47.5
JX-BG 210×110×75	210	110	75	21	19.5	60	64.5×45×48
JX-BG 210×160×100	210	160	100	15	13.5	30	64.5×55.5×48
JX-BG 220×170×110	220	170	110	17.8	16.3	30	53×45×51.5
JX-BG 260×110×75	260	110	75	24.3	22.8	60	57×47×58
JX-BG 260×160×100	260	160	100	17.8	16.3	30	55×53.5×52.5
JX-BG 280×190×140	280	190	140	17.1	15.6	20	59×42×73
JX-BG 300×200×130	300	200	130	17.8	16.3	20	63×45×67.5
JX-BG 300×300×180	300	300	180	9.3	7.8	6	65×32×56
JX-BG 350×250×150	350	250	150	15.3	13.8	12	81.5×37×62.5
JX-BG 380×280×130	380	280	130	14.3	12.8	10	61×39.5×66
JX-BG 400×300×180	400	300	180	11.6	10.1	6	64×42×55
JX-BG 450×350×200	450	350	200	16.7	15.2	6	75.5×47×62
JX-BG 500×400×200	500	400	200	10.2	8.7	3	52×44×61
JX-BG 630×530×250	630	530	250	17.2	15.7	3	65×56.5×79

JX金属铝防水接线盒 JXMetal Waterproof Junction Box

标准配置 Standard supply:

箱体、箱盖、盖板、螺丝
Aluminum box PUR Seal Stainless screws, M4 screws

工艺特点 Specification:

- 1.材料:压铸铝合金AlSi12
- 2.密封条:硅橡胶(可提供特种密封条)
- 3.防护等级:IP67(可提供认证)
- 4.使用环境温度:-50°C至+130°C
- 5.盒盖螺钉:不锈钢十字槽(不易脱落)
- 6.颜色:银灰(可提供特殊颜色)

Material:AlSi 12 DINI 725 Standard
Protection Degree:IP66 N60529 Standard
Resistance to Impact:>7 Joule EN50014 Standard
Temperature Range:-50°Cto 130°C
Paint Finish:Epoxy polyester powder coating
Color:RAL7001



产品型号	名称	外形尺寸(mm)
JX-L01	铝防水盒	64×58×35
JX-L02	铝防水盒	80×76×60
JX-L03	铝防水盒	80×76×60老
JX-L04	铝防水盒	80×76×80
JX-L05	铝防水盒	98×64×35
JX-L06	铝防水盒	120×80×60
JX-L07	铝防水盒	120×80×80
JX-L08	铝防水盒	125×80×60
JX-L09	铝防水盒	125×80×80
JX-L10	铝防水盒	100×100×60
JX-L11	铝防水盒	100×100×80
JX-L12	铝防水盒	120×120×80
JX-L13	铝防水盒	135×85×56
JX-L14	铝防水盒	135×135×80
JX-L15	铝防水盒	140×140×75
JX-L16	铝防水盒	140×140×100
JX-L17	铝防水盒	150×100×80
JX-L18	铝防水盒	160×100×60
JX-L19	铝防水盒	175×80×60
JX-L20	铝防水盒	175×80×80
JX-L21	铝防水盒	250×80×65
JX-L22	铝防水盒	250×80×80
JX-L23	铝防水盒	188×120×80老
JX-L24	铝防水盒	188×120×80新

产品型号	名称	外形尺寸(mm)
JX-L25	铝防水盒	200×130×85
JX-L26	铝防水盒	160×160×75
JX-L27	铝防水盒	160×160×100
JX-L28	铝防水盒	200×200×100
JX-L29	铝防水盒	220×140×80
JX-L30	铝防水盒	240×160×75
JX-L31	铝防水盒	240×160×100
JX-L32	铝防水盒	265×185×75
JX-L33	铝防水盒	265×185×100
JX-L34	铝防水盒	165×185×130
JX-L35	铝防水盒	300×200×120
JX-L36	铝防水盒	300×200×150
JX-L37	铝防水盒	300×300×140
JX-L38	铝防水盒	300×300×160
JX-L39	铝防水盒	300×210×100
JX-L40	铝防水盒	330×230×117
JX-L41	铝防水盒	340×235×100
JX-L42	铝防水盒	340×235×120
JX-L43	铝防水盒	300×400×140
JX-L44	铝防水盒	300×400×180
JX-L45	铝防水盒	320×120×95
JX-L46	铝防水盒	360×160×90
JX-L47	铝防水盒	400×500×160
JX-L48	通头6分	
JX-L49	通头1.5	



产品型号: HA-4/8/12/18/24WAY

材质: ABS盒子PC透明盖防护等级: IP65

安装方式: 开放式安装

产品功能: 防水, 防尘, 防潮, 耐腐蚀, 强冲击阻力, 良好的性能, 以及全方位的防水。广泛适用于各种室内和室外场所, 如工业, 农业, 发电厂, 船舶, 建筑, 水利, 工程等, 可根据需求完整的解决方案。

Product model: HA-4/8/12/18/24/36WAY

Box material: ABS box+PC transparent cover

Protection level: IP65

Installation method: open installation

Product function: waterproof, dustproof, moisture-proof, corrosion-resistant, Strong impact resistance, good sealing performance, and all-round waterproofing. Widely applicable to various indoor and outdoor places such as industry, agriculture, power plants, ships, architecture, water conservancy, engineering, etc., complete sets of solutions can be customized according to needs.

型号Model	产品尺寸Product size (mm)	包装尺寸Packing size (cm)	重量Box weight (Kg)
JX-HA-4WAY	140×210×100	54.5×31.5×45.5	11
JX-HA-8WAY	215×210×100	54.5×44.5×46.5	15
JX-HA-12WAY	300×260×140	75×32×54.5	15
JX-HA-18WAY	410×285×140	75×32×44.5	12
JX-HA-24WAY	415×300×140	75×32×44.5	12
JX-HA36WAY	633×298×128	61×32×59	14



产品型号: HT2/3/5/8/12/15/18/24WAY

包装材料: PC

防护等级: IP65

安装方式: 开放安装

额定电压: 1000VAC-1500V DC

适用: 各种室内和室外场所, 如阳台、花园、充电站、购物中心、发电站、码头、游泳池、工厂、铁路

Product model: HT2/3/5/8/12/15/18/24WAY

Box material: ABS+PC

Protection level: IP65

Installation method: open installation

Rated voltage: 1000VAC-1500V DC

Applicable scenarios: various indoor and outdoor places such as balconies, gardens, charging stations, shopping malls, power plants, docks, swimming pools, factories, railways, etc

型号Model	产品尺寸Product size (mm)	包装尺寸Packing size (cm)	重量Box weight (Kg)
JX-HT-2WAY	120×55×95	50×40×65.4	16.3
JX-HT-3WAY	160×75×95	50×44.5×39	13
JX-HT-5WAY	155×115×95	49×33×48	14
JX-HT-8WAY	200×155×95	48×41.5×48.5	18.5
JX-HT-12WAY	252×195×110	52.5×40.5×57	21
JX-HT-15WAY	310×195×110	63×40.5×57	21
JX-HT-18WAY	365×195×110	74×40.5×57	23.5
JX-HT-24WAY	360×280×110	56.5×36.5×56.5	15

本目录刊登的型号和规格会因产品更新而变化,恕不另行通知

本目录虽然经多次校对,以求准确,但仅参考之用,一切以实物及产品说明为准

If the models and specifications in this product catalogue is changed due to the changed of products,we will not inform

this product Catalogue is changed by several times to be correct but it is only for reference.All is subject to the physicals and specification of products



技术咨询
Technical Support



电子目录册
E-catalogue



京东店铺
JD Store



天猫店铺
Tmall Store



淘宝店铺
Taobao Store



阿里1688店铺
Alibaba 1688 Store



关注抖音
Follow us on Douyin.



乐清市吉祥连接器有限公司

地址:浙江省乐清市经济开发区滨海南四路66号博通慧谷小微园5幢、6幢、7幢

手机:+86-13968742333 15067836666 18058356333 13362797333
13600673333 15167894555 18067458666 15068235678

电话:0577-62618058 62618068 62625071 62625072 62625073

传真:0577-62618078

技术支持:0577-61585333

<http://www.jxljq.com>

<https://www.jixiangcn.net>

YUEQING JIXIANG CONNECTOR CO., LTD.

Address: Buildings 5, 6, 7, Botong Huigu Micro Industrial Park, No. 66 Binhai South 4th Road, Economic Development Zone, Yueqing City, Zhejiang Province

Tel:+86-577-61118056 Fax:+86-577-61118055

English market sales:

Mobile/Whats App:+86-18958708338

E-mail: jx5@jxljq.net

<https://www.jxljq.net>

<https://www.jixiangcn.net>



全国免费服务热线

400-023-6688